

MODEL #

COLOR #

70

DESCRIPTION :

Closed front with cover, round, injection molded solid plastic toilet seat. Features four molded-in bumpers, color-matched Top-Tite® hinges with non-corrosive, top-tightening Hex-Tite™ bolts and wing nuts. This seat complies with IAPMO/ANSI Z124.5-2013 Plastic Toilet Seats as a class Commercial Heavy Duty.

SPECIFICATIONS :

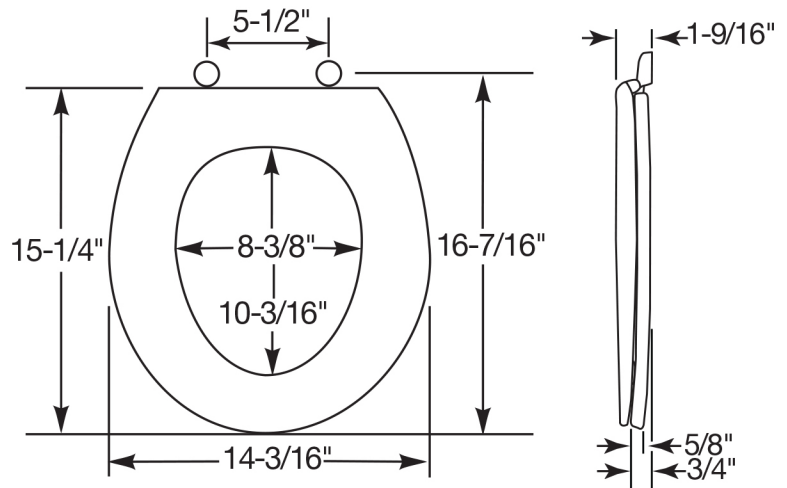
Size:	Round
Material:	Plastic
Style:	Closed Front with Cover
Bumpers:	Four
Hinges:	Plastic Top-Tite®
Fastening System:	Non-Corrosive Hex-Tite™ Bolts and Wing Nuts

FEATURES :

Top-Tite® Hinges

Non-Corrosive Hex-Tite™ Bolts and Wing Nuts

DIMENSIONS :



TOP-TITE® HINGES



NON-CORROSIVE BOLTS
AND WING NUTS



RESIDENTIAL PLASTIC TOILET SEAT

MODEL #

COLOR #

170

DESCRIPTION :

Closed front with cover, elongated, injection molded solid plastic toilet seat. Features four molded-in bumpers, color-matched Top-Tite® hinges with non-corrosive, top-tightening Hex-Tite™ bolts and wing nuts. This seat complies with IAPMO/ANSI Z124.5-2013 Plastic Toilet Seats as a class Commercial Heavy Duty.

SPECIFICATIONS :

Size:	Elongated
Material:	Plastic
Style:	Closed Front with Cover
Bumpers:	Four
Hinges:	Plastic Top-Tite®
Fastening System:	Non-Corrosive Hex-Tite™ Bolts and Wing Nuts

FEATURES :

Top-Tite® Hinges

Non-Corrosive Hex-Tite™ Bolts and Wing Nuts



TOP-TITE® HINGES



NON-CORROSIVE BOLTS
AND WING NUTS

DIMENSIONS :

