

**MODEL #**

**COLOR #**

**75**

**DESCRIPTION :**

Open front with cover, round, injection molded solid plastic toilet seat. Features four molded-in bumpers, color-matched Top-Tite® hinges with non-corrosive, top-tightening Hex-Tite™ bolts and wing nuts. This seat complies with IAPMO/ANSI Z124.5-2013 Plastic Toilet Seats as a class Commercial Heavy Duty.

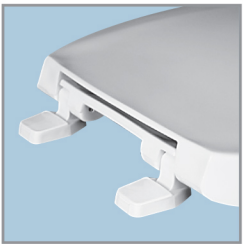
**SPECIFICATIONS :**

Size:	Round
Material:	Plastic
Style:	Open Front with Cover
Bumpers:	Four
Hinges:	Plastic Top-Tite®
Fastening System:	Non-Corrosive Hex-Tite™ Bolts and Wing Nuts

**FEATURES :**

Top-Tite® Hinges

Non-Corrosive Hex-Tite™ Bolts and Wing Nuts

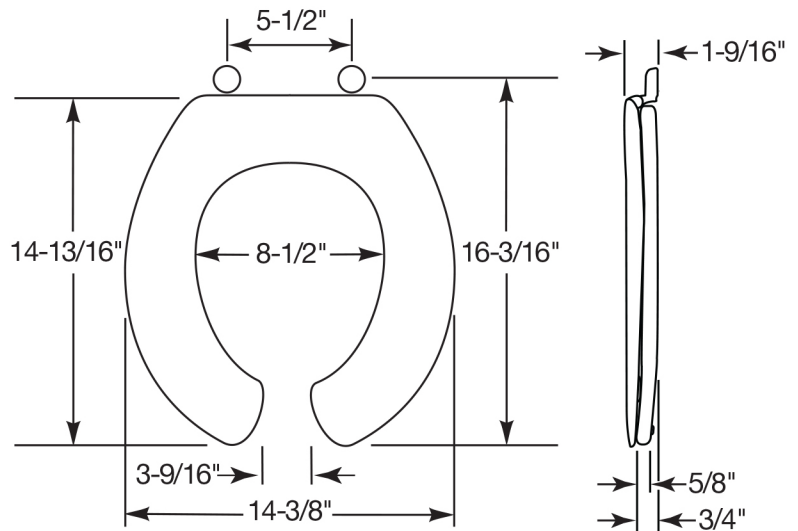


TOP-TITE® HINGES



NON-CORROSIVE BOLTS AND WING NUTS

**DIMENSIONS :**





**MODEL #**

**COLOR #**

**175**

**DESCRIPTION :**

Open front with cover, elongated, injection molded solid plastic toilet seat. Features four molded-in bumpers, color-matched Top-Tite® hinges with non-corrosive, top-tightening Hex-Tite™ bolts and wing nuts. This seat complies with IAPMO/ANSI Z124.5-2013 Plastic Toilet Seats as a class Commercial Heavy Duty.

**SPECIFICATIONS :**

Size:	Elongated
Material:	Plastic
Style:	Open Front with Cover
Bumpers:	Four
Hinges:	Plastic Top-Tite®
Fastening System:	Non-Corrosive Hex-Tite™ Bolts and Wing Nuts

**FEATURES :**

Top-Tite® Hinges

Non-Corrosive Hex-Tite™ Bolts and Wing Nuts



TOP-TITE® HINGES



NON-CORROSIVE BOLTS  
AND WING NUTS

**DIMENSIONS :**

